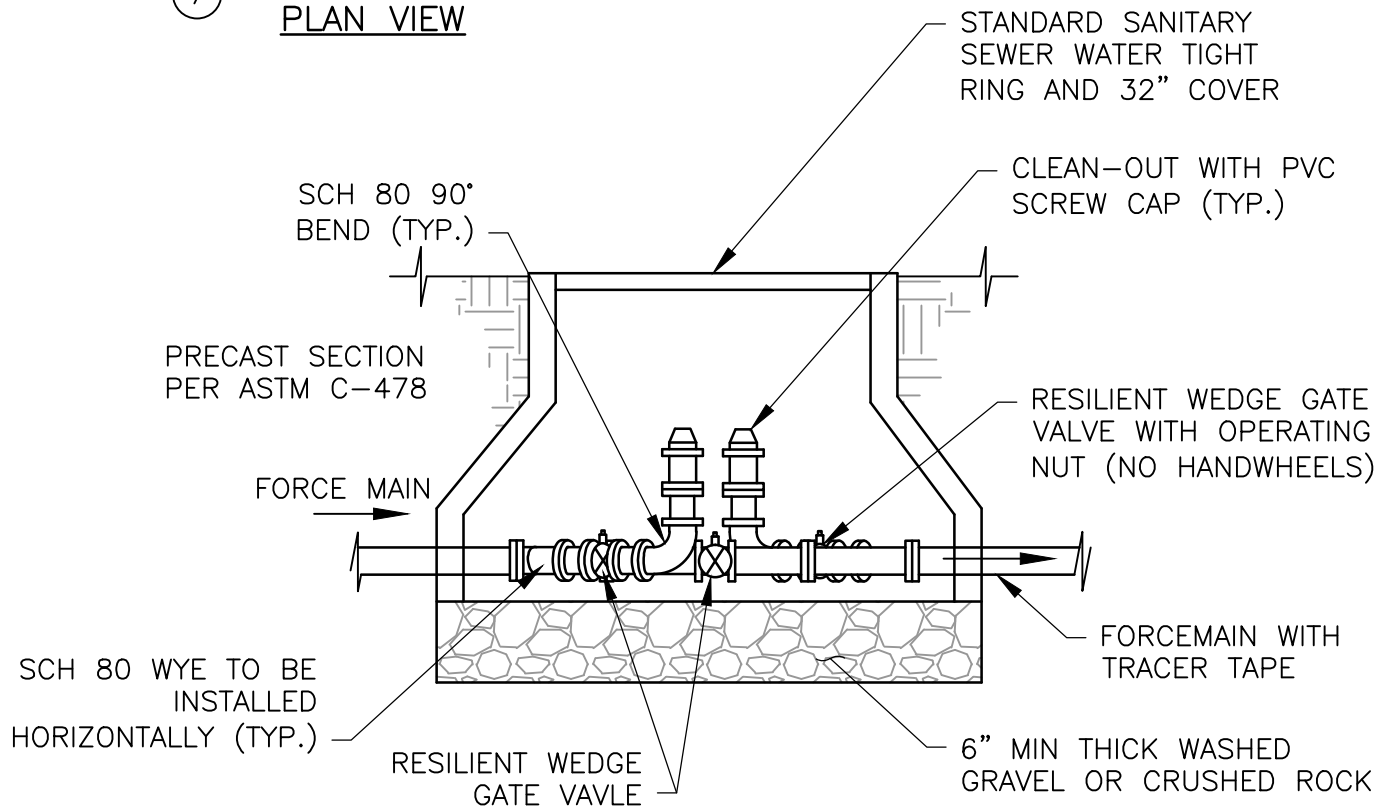


PLAN VIEW

**MATERIALS LIST:**

1. SCH 80 PVC PRESSURE LINE
2. WYE
3. PVC SCH 80 90° BEND
4. STANDARD SANITARY SEWER WATER TIGHT RING & 32" COVER
5. PRECAST SECTION PER ASTM C-478
6. RESILIENT WEDGE GATE VALVE
7. PVC SCREW CAP



**NOTE:**

1. ALL CLEAN-OUT VAULTS IN ROADWAY SHALL BE INSTALLED FLUSH TO MATCH ROAD SURFACE. VAULTS LOCATED OUTSIDE OF PAVEMENT SHALL BE 12 INCHES ABOVE GRADE.



TRAVIS COUNTY WATER CONTROL AND  
IMPROVEMENT DISTRICT No. 17  
STANDARD DETAILS

ADOPTED:  
03/01/2016

PRESSURE MAIN FLUSHING  
ASSEMBLY  
(MAIN LINE)

THE ARCHITECT/ENGINEER ASSUMES  
RESPONSIBILITY FOR APPROPRIATE  
USE OF THIS STANDARD.

DETAIL NO.  
**WW30**