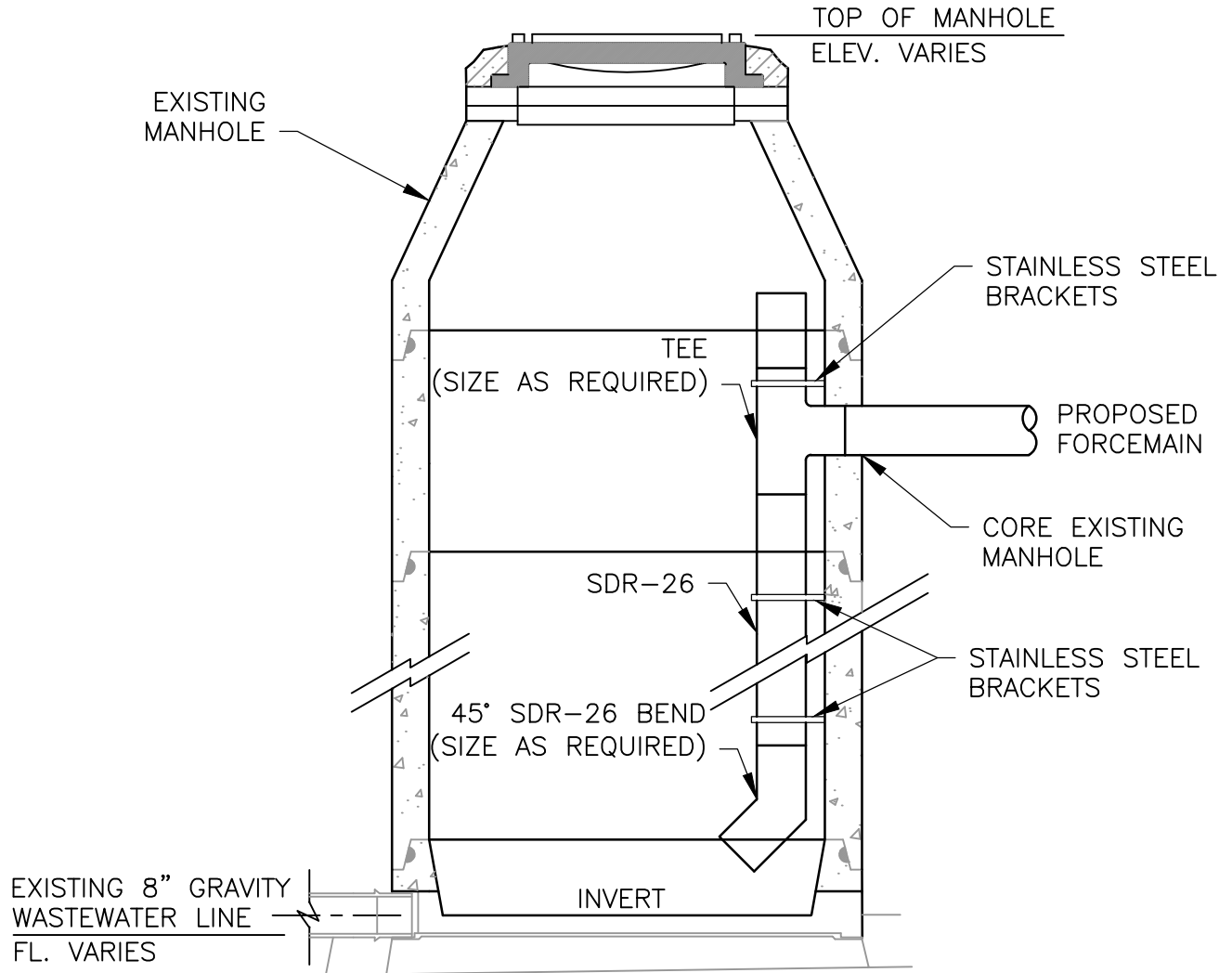



*ALL PIPES INSIDE MANHOLE
MUST BE GLUED



NOTES:

1. INTERIOR OF MANHOLE TO BE COATED WITH 1/2" THICK LAFARGE SEWER COAT.
2. SEE STANDARD DETAIL FOR BACKFILL REQUIREMENTS.

	TRAVIS COUNTY WATER CONTROL AND IMPROVEMENT DISTRICT No. 17 STANDARD DETAILS	CONNECTION TO EXISTING MANHOLE WITH INLET DROP	
	ADOPTED: 03/01/2016	THE ARCHITECT/ENGINEER ASSUMES RESPONSIBILITY FOR APPROPRIATE USE OF THIS STANDARD.	DETAIL NO. WW09