

NOTES:

1. SEE STANDARD DETAIL FOR BACKFILL REQUIREMENTS.



TRAVIS COUNTY WATER CONTROL AND
IMPROVEMENT DISTRICT No. 17
STANDARD DETAILS

ADOPTED:

03/01/2016

BOX MANHOLE
30" AND LARGER PIPE
(1 OF 2)

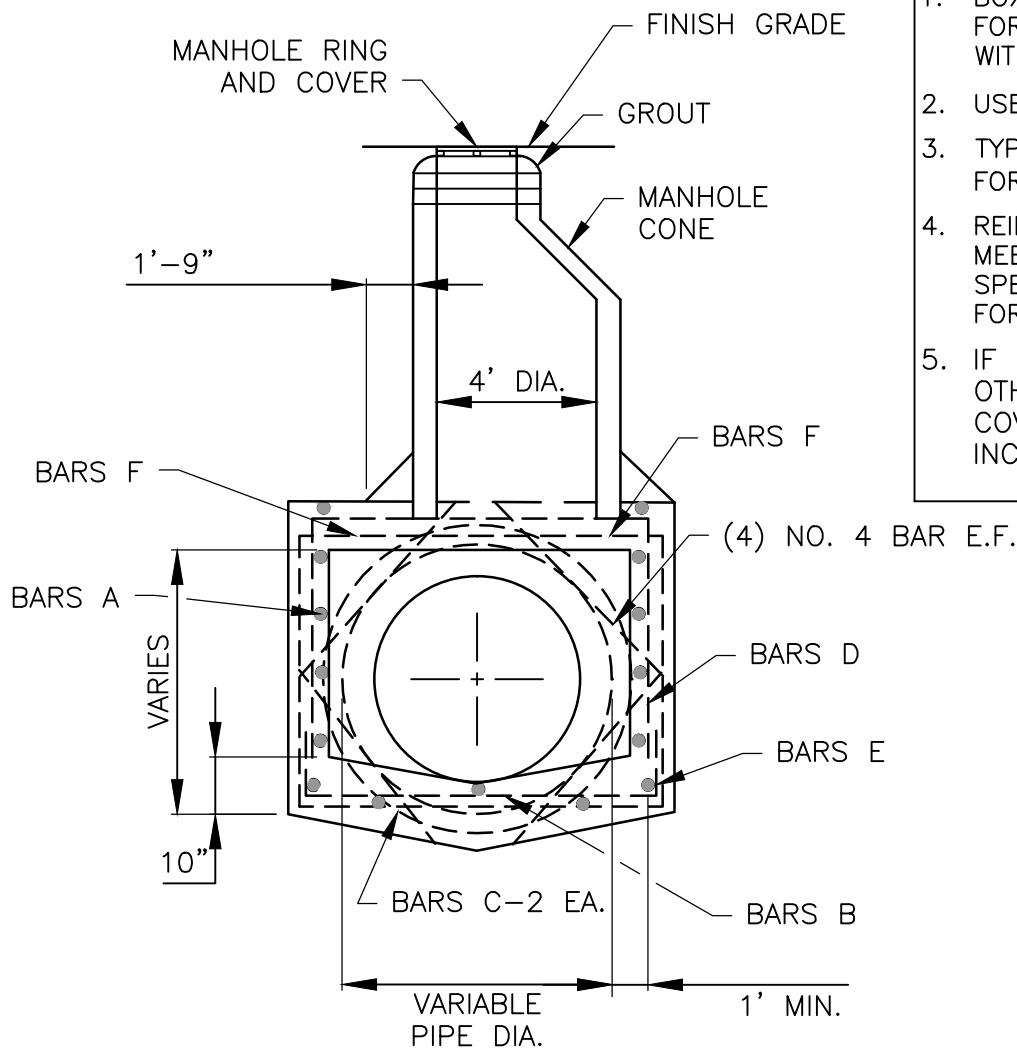
THE ARCHITECT/ENGINEER ASSUMES
RESPONSIBILITY FOR APPROPRIATE
USE OF THIS STANDARD.

DETAIL NO.

WW06

STEEL TABLE

PIPE SIZE	BAR A		BAR B		BAR C		BAR D		BAR E		BAR F		BAR G	
	NO.	SIZE.	NO.	SIZE.	NO.	SIZE.	NO.	SIZE.	NO.	SIZE.	NO.	SIZE.	NO.	SIZE.
30	12	4	5	6	4	4	11	6	5	4	8	5	2	4
36	12	4	6	6	4	4	12	6	5	4	8	5	2	4
42	12	4	6	4	4	4	12	6	6	4	8	5	2	4
48	12	4	6	4	4	4	12	4	6	4	8	5	2	4
54	12	4	6	5	4	4	12	4	7	4	8	5	2	4
60	14	4	7	5	4	4	12	4	7	4	8	5	2	4
66	16	4	8	5	4	4	12	4	8	4	8	5	2	4
72	18	4	9	5	4	4	12	4	8	4	8	5	2	4



1. BOX WALLS MUST BE FORMED INSIDE AND OUTSIDE WITH APPROVED MATERIALS.
2. USE CLASS "A" CONCRETE.
3. TYPICAL CAST IN PLACE BOX FOR 30" OR LARGER PIPE.
4. REINFORCING STEEL SHALL MEET STANDARD DETAIL SPECIFICATION AND DETAIL FOR TOLERANCES.
5. IF FINISHED SURFACE IS OTHER THAN IMPERVIOUS COVER IT SHALL BE 12 INCHES ABOVE GRADE.

SECTION B-B



TRAVIS COUNTY WATER CONTROL AND IMPROVEMENT DISTRICT No. 17
STANDARD DETAILS

ADOPTED:
03/01/2016

BOX MANHOLE
30" AND LARGER PIPE
(2 OF 2)

THE ARCHITECT/ENGINEER ASSUMES RESPONSIBILITY FOR APPROPRIATE USE OF THIS STANDARD.

DETAIL NO.
WW06