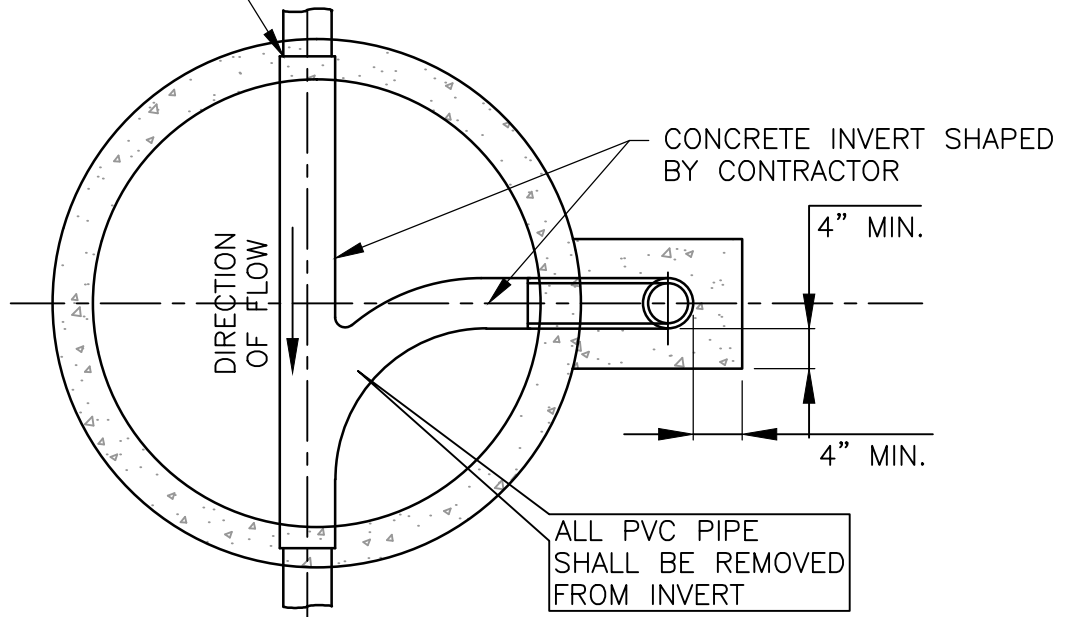


NOTES:

1. SEE STANDARD DETAIL FOR BACKFILL REQUIREMENTS.

	TRAVIS COUNTY WATER CONTROL AND IMPROVEMENT DISTRICT No. 17 STANDARD DETAILS	PRECAST MANHOLE WITH DROP INLET ON PRECAST BASE - NEW CONSTRUCTION (1 OF 2)	
	ADOPTED: 03/01/2016	THE ARCHITECT/ENGINEER ASSUMES RESPONSIBILITY FOR APPROPRIATE USE OF THIS STANDARD.	DETAIL NO. WW05

STANDARD NEOPRENE PIPE
GASKET TYP. ALL WALL
PENETRATIONS



BOTTOM PLAN VIEW

NOTE:

1. IF FINISHED SURFACE IS OTHER THAN IMPERVIOUS COVER IT SHALL BE 12 INCHES ABOVE GRADE,



TRAVIS COUNTY WATER CONTROL AND
IMPROVEMENT DISTRICT No. 17
STANDARD DETAILS

ADOPTED:
03/01/2016

PRECAST MANHOLE WITH DROP
INLET ON PRECAST BASE
(2 OF 2)

THE ARCHITECT/ENGINEER ASSUMES
RESPONSIBILITY FOR APPROPRIATE
USE OF THIS STANDARD.

DETAIL NO.
WW05