

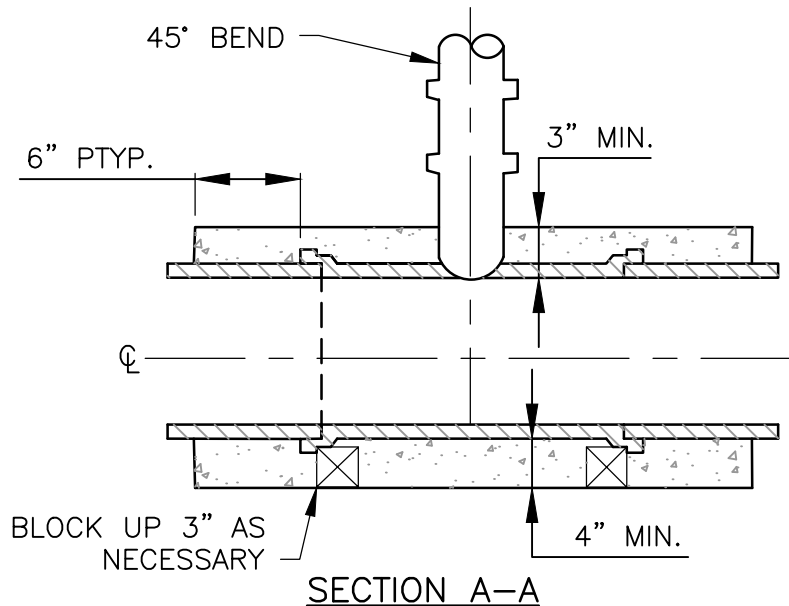
TRAVIS COUNTY WATER CONTROL AND
 IMPROVEMENT DISTRICT No. 17
 STANDARD DETAILS

ADOPTED:
 03/01/2016

WASTEWATER DEEP SERVICE
 CONNECTION DETAIL
 (1 OF 2)

THE ARCHITECT/ENGINEER ASSUMES
 RESPONSIBILITY FOR APPROPRIATE
 USE OF THIS STANDARD.

DETAIL NO.
 WW02



NOTES:

1. UTILITY CONTRACTOR –DURING SUBDIVISION CONSTRUCTION– INSTALLS WASTEWATER CONNECTION TO MAIN, 6” STUB WITH HORIZONTAL WYE FOR DOUBLE SERVICE, 6” BRANCH WITH CLEAN–OUT AND RISER FOR CLEAN–OUTS (CAPPED), AND PLUGS FOR BOTH CLEAN–OUTS AT PROPERTY LINE END. ALL WASTEWATER PIPING SHALL HAVE ELASTOMERIC GASKET TYPE JOINTS AND SHALL SLOPE DOWNWARD TO MAIN 1% 1/8” PER FOOT MINIMUM TO 45° MAXIMUM. DEPTH OF SERVICE STUB AT PROPERTY LINE WILL BE SHOWN ON PLANS BY ENGINEER IF GREATER THAN 4 FEET OTHERWISE THE INSTALLED DEPTH WILL TYPICALLY BE 4 TO 6 FEET. IF WASTEWATER SERVICE LINE TO MAIN REQUIRES DEFLECTION EXCEEDING 45°, ALL SHALL BE MADE IN ACCORDANCE WITH INFORMATION SHOWN ON APPLICABLE STD. DRAWINGS AND WILL BE INSPECTED BY T.C.W.C. AND I.D. NO. 17 CONSTRUCTION INSPECTION PERSONNEL.
2. CUSTOMERS REMOVE PLUGS FROM CLEAN–OUT, AT PROPERTY LINE, INSTALL MINIMUM 18” LENGTH OF 6” PIPE. IF WASTEWATER WILL NOT SATISFACTORILY FLOW BY GRAVITY TO SEWER MAIN ADJACENT TO PROPERTY, PUMP EQUIPMENT MUST BE PROVIDED BY THE CUSTOMER AS PART OF CUSTOMER’S WASTEWATER SYSTEM.
3. CUSTOMER IS RESPONSIBLE FOR WASTEWATER PIPING SYSTEM AND SHALL GUARANTEE, FOR A PERIOD OF ONE (1) YEAR FROM DATE OF ACCEPTANCE, THAT CONNECTIONS TO T.C.W.C. AND I.D. NO. 17 SYSTEMS ARE FREE FROM DEFECTS IN WORKMANSHIP AND/OR MATERIALS. CUSTOMER ALSO HAS THE RESPONSIBILITY TO ASSURE THAT ALL CLEAN–OUTS REMAIN CLEAR OF SIDEWALK AND OTHER OBSTRUCTIONS.
4. T.C.W.C. AND I.D. NO.17 ACTIVITY IS LIMITED TO THE INSPECTION OF CONNECTIONS TO THE T.C.W.C. AND I.D. NO. 17 WASTEWATER SYSTEMS FOR MAINTENANCE PURPOSES, THE T.C.W.C. AND I.D. NO. 17 RESPONSIBILITY ENDS AT THE CUSTOMER’S WASTEWATER CONNECTION TO THE CLEANOUT.
5. PIPING IN STREET RIGHT–OF–WAY AND IN EASEMENT AREAS SHALL BE BEDDED IN GRANULAR MATERIALS AS REQUIRED BY T.C.W.C. AND I.D. NO.17 STANDARD SPECIFICATIONS; MATERIALS SHALL BE AS SPECIFIED IN STANDARD SPECIFICATIONS; BACKFILL ABOVE THE GRANULAR BEDDING SHALL BE AS REQUIRED; SERVICE LINES IN THESE AREAS SHALL HAVE A MINIMUM COVER BELOW FINAL STREET GRADE OF 42”; ANY EXCEPTION MUST BE SPECIFICALLY APPROVED BY T.C.W.C. AND I.D. NO. 17.
6. NO CLEAN–OUT SHALL BE SET IN SIDEWALK AREA WITHOUT WRITTEN APPROVAL FROM T.C.W.C. AND I.D. NO. 17.
7. T.C.E.Q. RULES AND REGULATIONS ON SEPARATION OF WASTEWATER MAINS WILL BE STRICTLY ENFORCED.
8. ALL WASTEWATER PIPING WILL BE COLORED CODED OR DESIGNATED WASTEWATER USE ONLY. NO WATER DESIGNATED PIPE WILL BE USED IN WASTEWATER SYSTEM.

	TRAVIS COUNTY WATER CONTROL AND IMPROVEMENT DISTRICT No. 17 STANDARD DETAILS	DEEP SERVICE CONNECTION DETAIL (2 OF 2)	
	ADOPTED: <p style="text-align: center;">03/01/2016</p>	THE ARCHITECT/ENGINEER ASSUMES RESPONSIBILITY FOR APPROPRIATE USE OF THIS STANDARD.	DETAIL NO. <p style="text-align: center;">WW02</p>