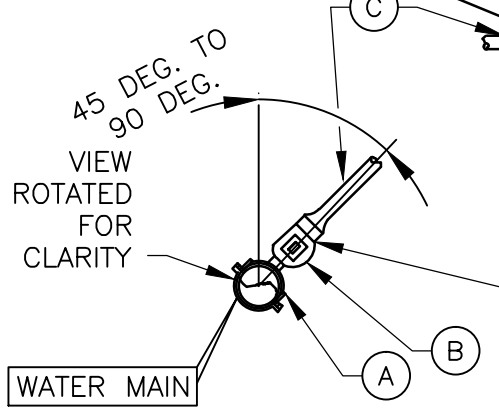
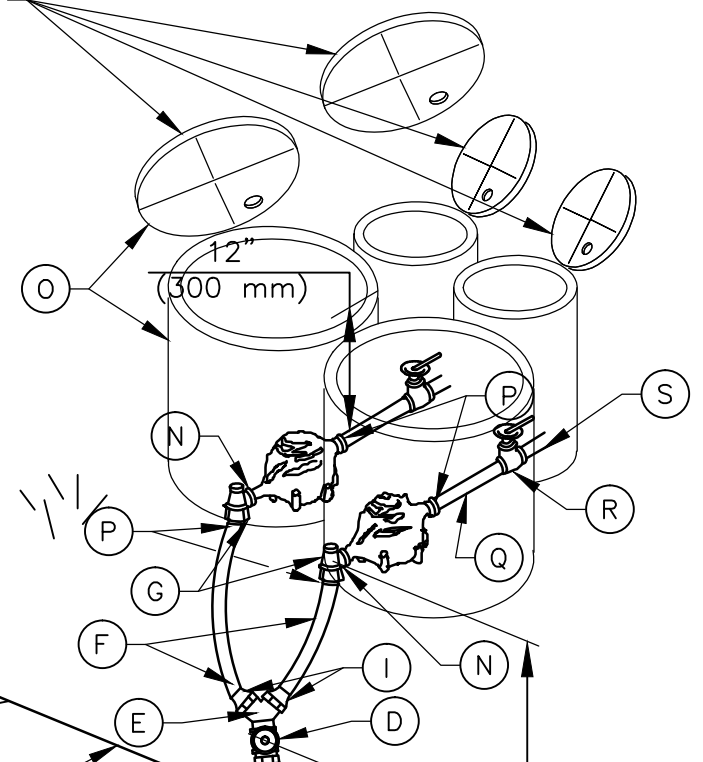
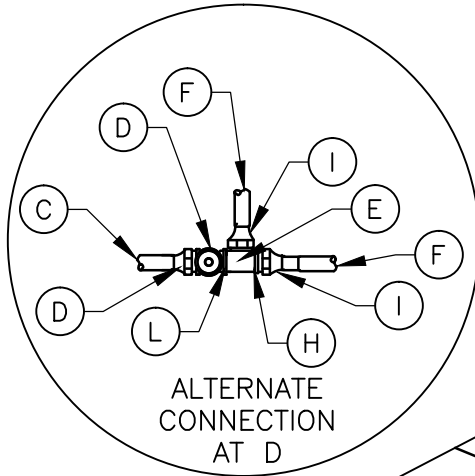


METER BOXES SHALL HAVE
LOCKING LIDS



	TRAVIS COUNTY WATER CONTROL AND IMPROVEMENT DISTRICT No. 17 STANDARD DETAILS		(TWO) 1" (25 mm) METER INSTALLATION (1 OF 2)	
	ADOPTED: 06/15/2010		THE ARCHITECT/ENGINEER ASSUMES RESPONSIBILITY FOR APPROPRIATE USE OF THIS STANDARD.	
			DETAIL NO. W08	


MATERIAL LIST:

- A. TAP SADDLE REQUIRED ON ALL PIPES (317-D5)
- B. 1-1/2" (38 mm) CORPORATION STOP (FB-1100-6G) (1-1/2" MIP X 1-1/2" COMP)
- C. 1-1/2" (38 mm) SERVICE PIPE (POLY E SDR 9) 200 P.S.I. (54 INSERT)
- D. 1-1/2" (38 mm) BRASS BALL VALVE CURB STOP TYPE (B41-666WG). 1-1/2 COMP X 1-1/2" F.I.P. CLOSE NIPPLE, BRONZE I.P. THREAD. (ALT.)
- E. 1-1/2" (38 mm) Y-BRANCH (Y48-246G) 2 - 1" (25 mm) COMP. X 1" (25 mm) X 1-1/2" MIP - (ALTERNATE BRONZE TEE)
- F. 1" (25 mm) SERVICE PIPE (POLY E SDR 9) 200 P.S.I. (ALTERNATE J)
- G. (2) 1" (25 MM) METER ANGLE STOP (KV43-444 WG); 54 INSERT 1" (25 MM) COMPRESSION X METER SWIVEL NUT 1" (25 MM)
- H. BRONZE BUSHING, 1-1/2" X 1" (38 mm X 25 mm), I.P. THREADS (ALT.)
- I. 1-1/2" (38 mm) MIP X 1-1/2" (38 mm) COMPRESSION (ALT.)
- L. 1-1/2" (38 mm) COMPRESSION X 1-1/2" (38 mm) FIP. (ALT.)
- N. (2) 1" (25 MM) COMPRESSION X METER SWIVEL NUT 1" (25 MM)
- O. (2) SINGLE METER BOXES - 34P14 WESTERN IRON WORKS WITH CAST IRON LID AND RING. SPECIFY SIZE OF HOLE FOR TOUCH READ PAD 2" - 2-1/8" (50 MM - 54 MM)
- P. WATER NIPPLE WITH 3/4" (19.05 MM) THREADS
- Q. 3/4" (19.05 MM) WATER SERVICE LINE (POLY E SDR 9). (54 INSERT)
- R. 1" (25 MM) BRONZE GATE VALVE: NON-RISING STEM (3/4" (19.05 MM) OR 1" (25 MM)) FEMALE I.P. (PROPERTY OWNER'S CUTOFF VALVE, CUSTOMER'S RESPONSIBILITY)
- S. 3/4" (19.05 MM) OR 1" (25 MM) PIPE PVC SCH. 40 OR BETTER, MEETING CITY OF AUSTIN OR CITY OF LAKEWAY PLUMBING CODE REQUIREMENTS AS APPLICABLE (CUSTOMER'S RESPONSIBILITY)

NO COPPER PIPE ALLOWED. ONLY BRASS AND/OR POLYETHYLENE SHALL BE USED.

NOTES:

1. BRANCH CONNECTION AND BOTH METER ANGLE STOPS MUST BE INSTALLED PRIOR TO FIRST METER INSTALLATION EVEN THOUGH SECOND PROPERTY MAY NOT BE READY FOR SERVICE.
2. TOP OF BOXES SHALL BE 2" (50 mm) ABOVE CURB AND/OR FINISHED GRADE OR FLUSH WITH PAVEMENT SURFACE.
3. WATER SERVICE LINES SHALL BE BEDDED IN WASHED SAND OR APPROVED GRAVEL BEDDING TO PROVIDE SIX (6") INCHES (150 mm) OF CUSHION BELOW THE LINE, AND 12" (300 mm) ABOVE. WATER METERS SHALL BE INSTALLED IN GROUND WHICH HAS AN ELEVATION NO HIGHER THAN 4 FEET (1.2 m) FROM FINISHED GRADE STREET LEVEL. METERS LOCATED ON HIGH GROUND OR UPON STEEP SLOPES ARE NOT PERMITTED. TRENCH BOTTOM AND WALLS SHALL BE CLEARED OF ALL PROTRUDING ROCKS WHICH COULD DAMAGE THE PIPE BEFORE THE SAND BEDDING IS PLACED. WASHED SAND SHALL BE FILLED TO THE SAME ELEVATION AS THE TOP OF THE ADJACENT CURB AND/OR EDGE OF PAVEMENT AND SHALL BE COMPACTED TO A PROCTOR DENSITY OF 90%. NO ROCKS OR OTHER MATERIAL OVER THREE INCHES (3") (76 mm) IN DIAMETER SHALL BE USED FOR BACK FILL OVER THE SAND.
4. METER BOX MUST BE BEHIND CURB, PAVEMENT AND/OR SIDEWALK AND OUT OF VEHICULAR TRAFFIC AREA.
5. THE BOTTOM OF THE WATER SERVICE AT ALL POINTS SHALL BE AT LEAST TWELVE (12") INCHES (300 mm) ABOVE THE TOP OF THE WASTEWATER SERVICE LINES.
6. WATER SERVICE LINES SHALL BE INSTALLED WITH WATER TIGHT JOINTS TESTED TO LINE PRESSURE.
7. ISOLATION VALVES WILL NOT BE SET UNDER OR NEAR SIDEWALKS OR CURB WHERE THEY CANNOT BE LOCATED.
8. PRESSURE REDUCING VALVE AND A BACK FLOW PREVENTER (WITH THERMAL EXPANSION TANK IN HOUSE IF REQUIRED) IN THAT ORDER ON THE YARD LINE.

	TRAVIS COUNTY WATER CONTROL AND IMPROVEMENT DISTRICT No. 17 STANDARD DETAILS		(TWO) 1" (25 mm) METER INSTALLATION (2 OF 2)	
	ADOPTED: 06/15/2010		THE ARCHITECT/ENGINEER ASSUMES RESPONSIBILITY FOR APPROPRIATE USE OF THIS STANDARD.	
			DETAIL NO. W08	