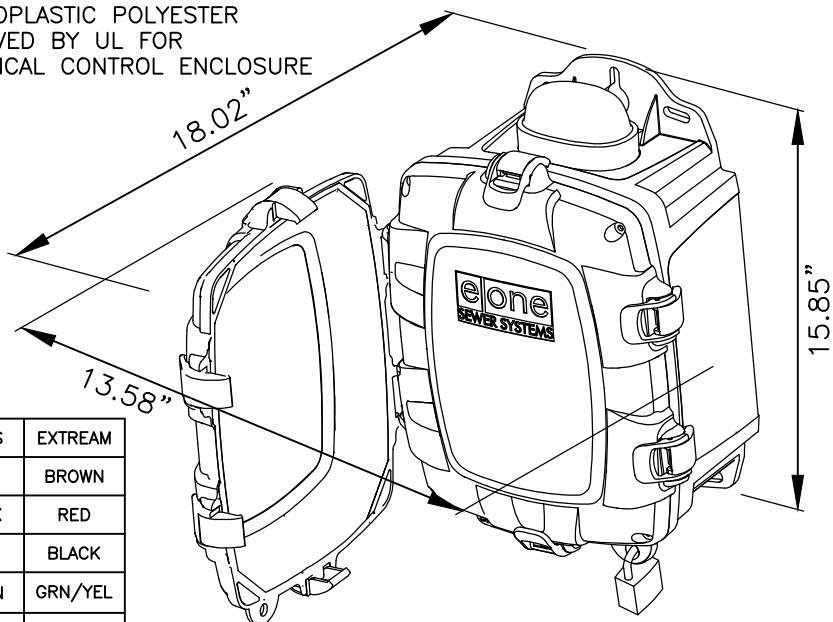


EXTERNAL VISUAL & AUDIBLE ALARM
 EXTERNAL LATCHING MANUAL SILENCE
 MANUAL RUN
 PUMP RUN INDICATORS
 CONFORMAL COATED CIRCUIT BOARD
 PADLOCK
 ALARM DRY CONTACT
 NEMA 4X ENCLOSURE ASSEMBLY

CORROSION PROOF
 THERMOPLASTIC POLYESTER
 APPROVED BY UL FOR
 ELECTRICAL CONTROL ENCLOSURE



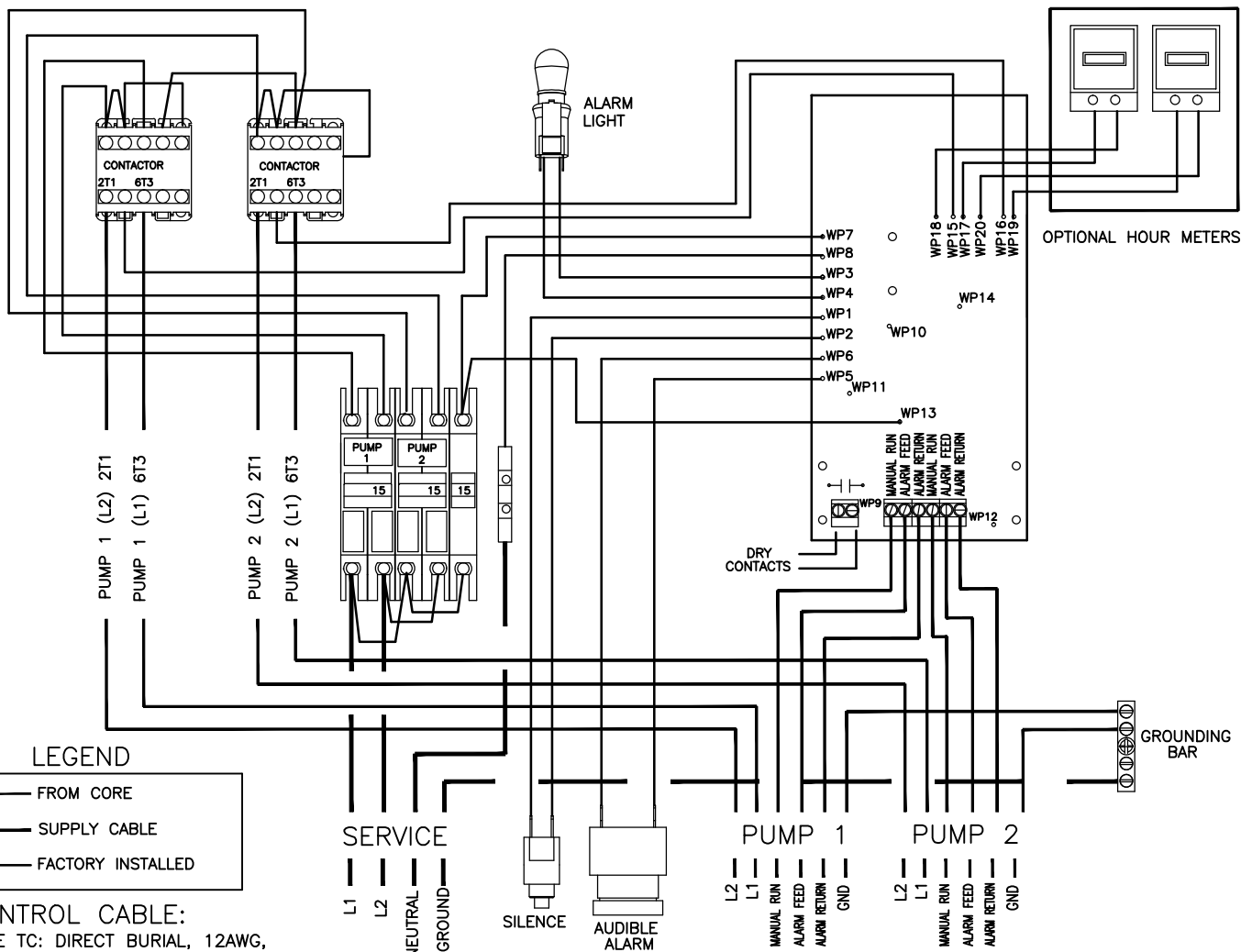
NOTES:

- AS A MAXIMUM, EACH MOTOR SHALL BE A 1 HP, 1725 RPM, 240 VOLT 60 HERTZ, 1 PHASE, CAPACITOR START, BALL BEARING, AIR-COOLED INDUCTION TYPE WITH A LOW STARTING CURRENT NOT TO EXCEED 33 AMPERES AND HIGH STARTING TORQUE OF 8.4 FOOT POUNDS.

PIN	FUNCTION	2000S	EXTREAM
1	MANUAL RUN	RED	BROWN
2	L1	BLACK	RED
3	L2	WHITE	BLACK
4	GND	GREEN	GRN/YEL
5	ALARM FEED	ORANGE	YELLOW
6	ALARM RETURN	BLUE	BLUE

OPTIONS:

HOUR METER



LEGEND

— FROM CORE
 — SUPPLY CABLE
 — FACTORY INSTALLED

CONTROL CABLE:
 TYPE TC: DIRECT BURIAL, 12AWG,
 SIX CONDUCTOR

E-ONE DUPLEX T-260 ALTERNATING PANEL

	TRAVIS COUNTY WATER CONTROL AND IMPROVEMENT DISTRICT No. 17 STANDARD DETAILS	GRINDER PUMP STATION DUPLEX CONTROL PANEL	
	ADOPTED: 03/01/2016	THE ARCHITECT/ENGINEER ASSUMES THE RESPONSIBILITY FOR APPROPRIATE USE OF THIS STANDARD.	DETAIL NO. WW26