

PLAN VIEW

NOTES:

1. ALL CLEAN-OUT VAULTS IN ROADWAY SHALL BE INSTALLED FLUSH TO MATCH ROAD SURFACE. VAULTS LOCATED OUTSIDE OF PAVEMENT SHALL BE 12 INCHES ABOVE GRADE.
2. ALL PIPE SHALL BE DUCTILE IRON A MINIMUM OF 12" PAST MANHOLE OR VAULT.
3. VALVES AND FITTINGS TO BE SAME SIZE AS MAIN LINE.

VAULT SIZE REQUIREMENTS

FORCEMAIN SIZE (IN)	MIN. VAULT DIAM. (FT)
≤4	6'
6	8'
8	10'
12	12'
>12	VERIFY WITH W.C.I.D.17



TRAVIS COUNTY WATER CONTROL AND
IMPROVEMENT DISTRICT No. 17
STANDARD DETAILS

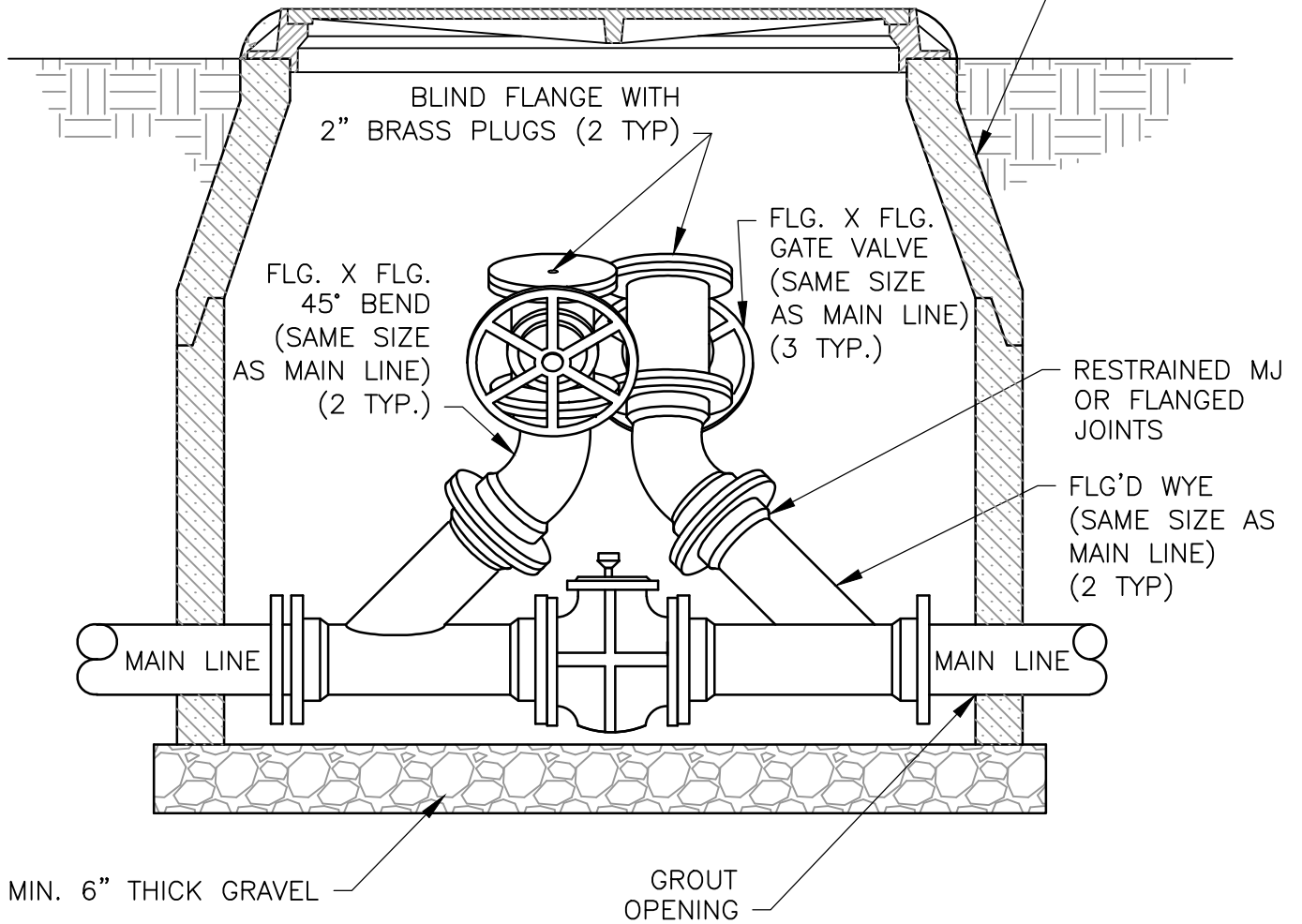
ADOPTED:
03/01/2016

FORCE MAIN CLEANOUT
SECTION
(1 OF 2)

THE ARCHITECT/ENGINEER ASSUMES
RESPONSIBILITY FOR APPROPRIATE
USE OF THIS STANDARD.

DETAIL NO.
WW21

PRECAST SECTION
PER ASTM C-478
SEE TABLE FOR
SIZE REQUIREMENTS



NOTES:

1. ALL CLEAN-OUT VAULTS IN ROADWAY SHALL BE INSTALLED FLUSH TO MATCH ROAD SURFACE. VAULTS LOCATED OUTSIDE OF PAVEMENT SHALL BE 12 INCHES ABOVE GRADE.
2. VALVES AND FITTINGS TO BE SAME SIZE AS MAIN LINE.

VAULT SIZE REQUIREMENTS

FORCEMAIN SIZE (IN)	MIN. VAULT DIAM. (FT)
≤4	6'
6	8'
8	10'
12	12'
>12	VERIFY WITH W.C.I.D.17



TRAVIS COUNTY WATER CONTROL AND
IMPROVEMENT DISTRICT No. 17
STANDARD DETAILS

ADOPTED:
03/01/2016

FORCE MAIN CLEANOUT
SECTION
(2 OF 2)

THE ARCHITECT/ENGINEER ASSUMES
RESPONSIBILITY FOR APPROPRIATE
USE OF THIS STANDARD.

DETAIL NO.
WW21