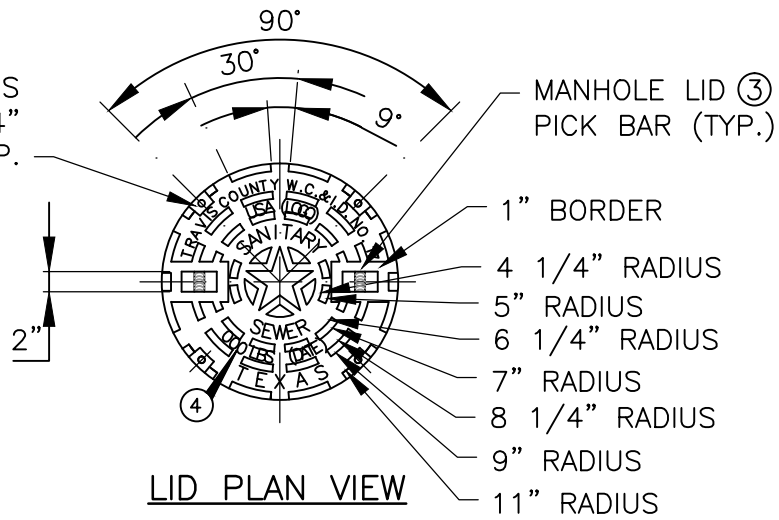
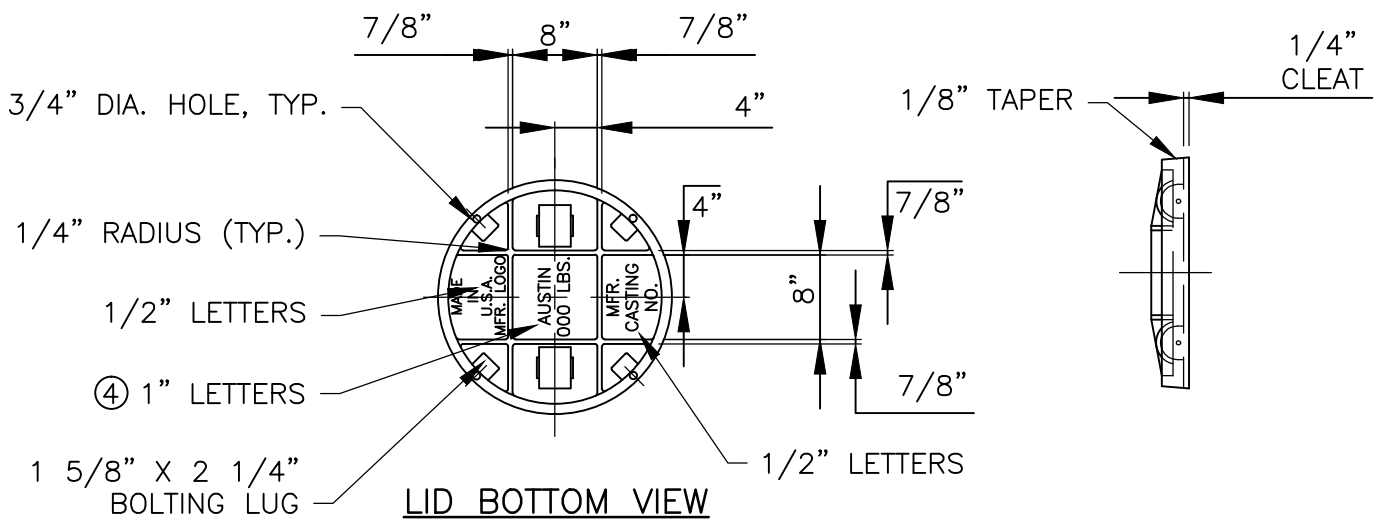


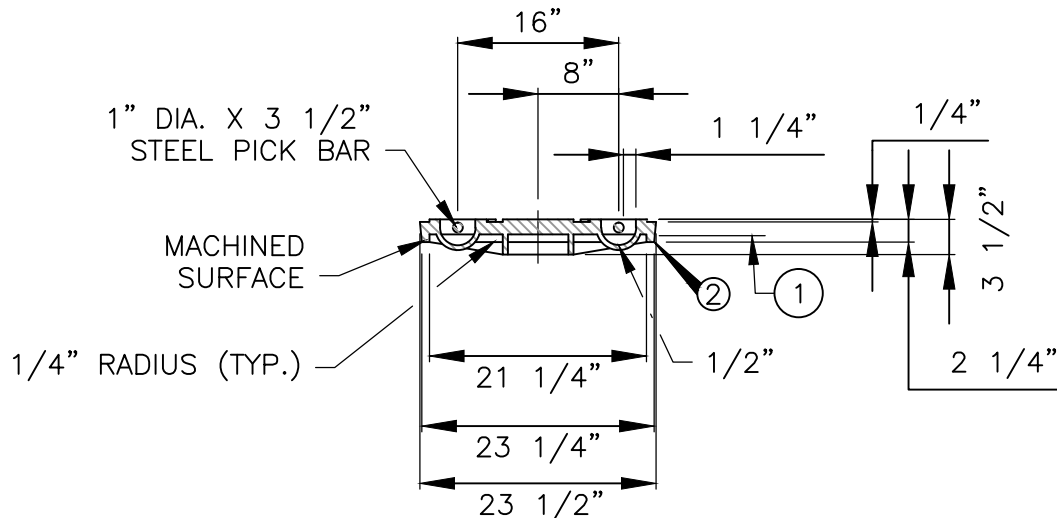
1 1/2" SQ. BOLT RECESS
1/2" DEEP WITH 3/4"
HOLE, 4 TYP.



LID PLAN VIEW



LID BOTTOM VIEW



LID SECTION VIEW



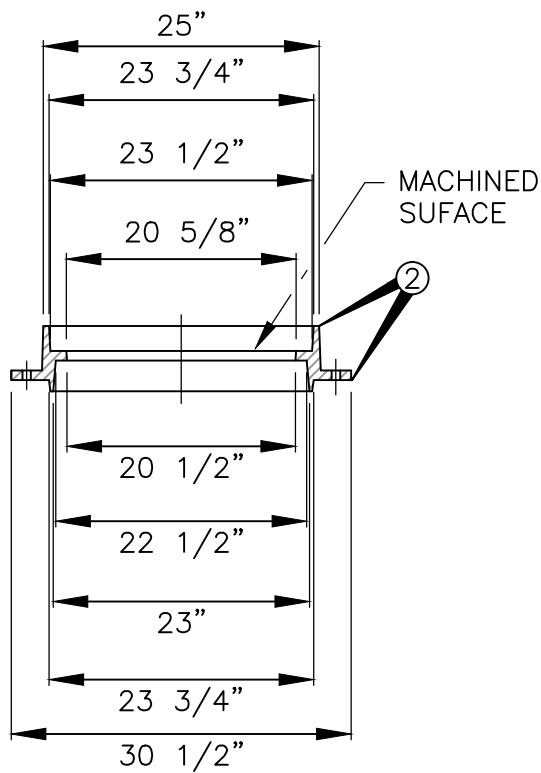
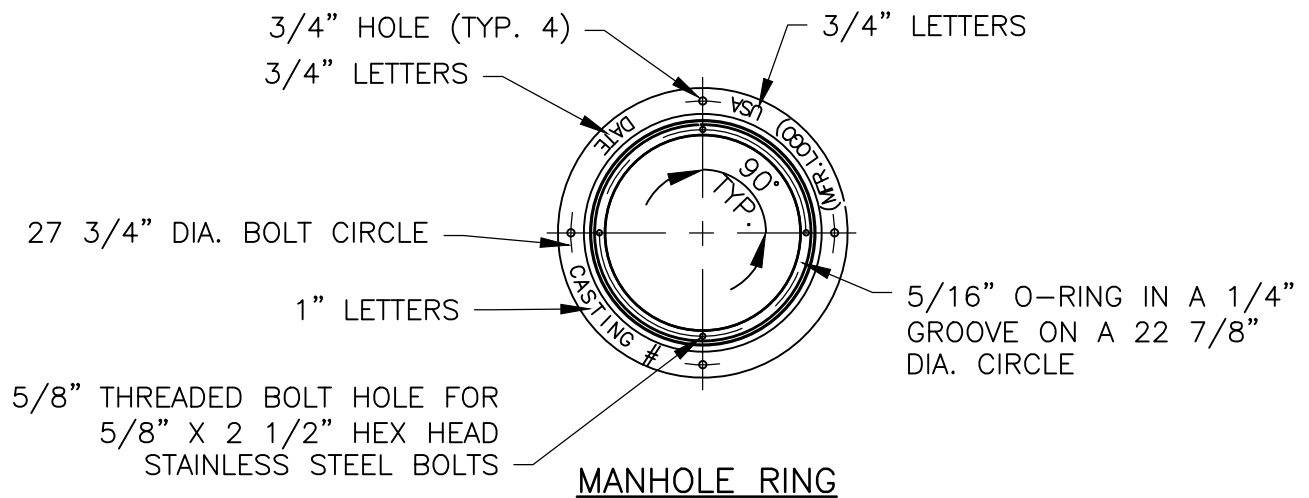
TRAVIS COUNTY WATER CONTROL AND
IMPROVEMENT DISTRICT No. 17
STANDARD DETAILS

ADOPTED:
03/01/2016

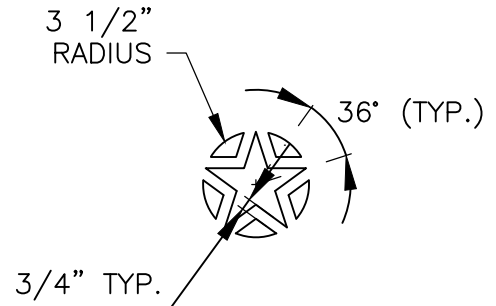
BOLTED SANITARY SEWER MANHOLE RING
AND 24" COVER
(1 OF 3)

THE ARCHITECT/ENGINEER ASSUMES
RESPONSIBILITY FOR APPROPRIATE
USE OF THIS STANDARD.

DETAIL NO.
WW18



RING SECTION



STAR LAYOUT



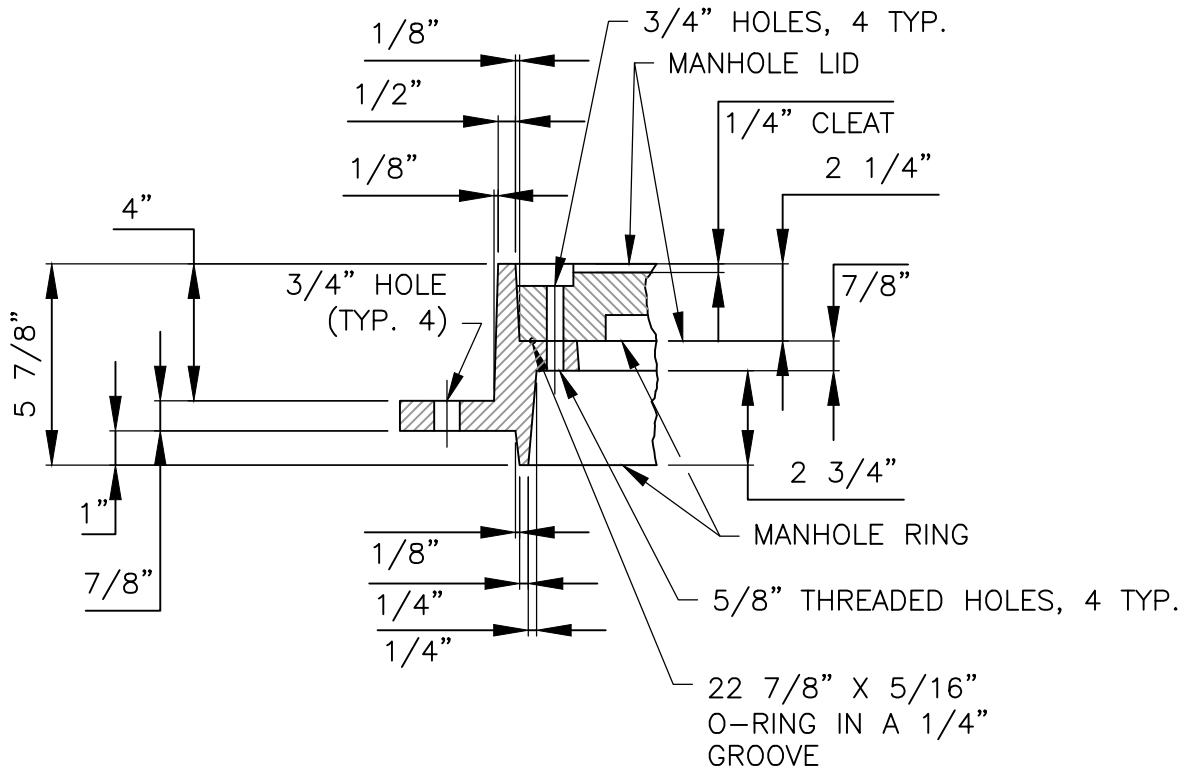
TRAVIS COUNTY WATER CONTROL AND
IMPROVEMENT DISTRICT No. 17
STANDARD DETAILS

ADOPTED:
03/01/2016

BOLTED SANITARY SEWER MANHOLE
RING AND 24" COVER
(2 OF 3)

THE ARCHITECT/ENGINEER ASSUMES
RESPONSIBILITY FOR APPROPRIATE
USE OF THIS STANDARD.

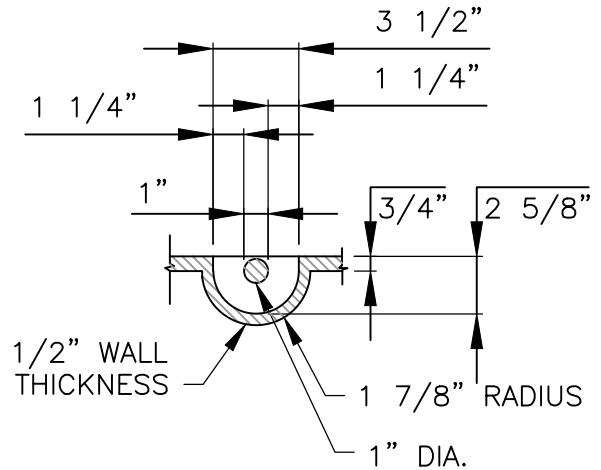
DETAIL NO.
WW18



BOLT HOLE AND WATER-TIGHT DETAIL

NOTES:

1. 3/4" R + 1/4" CLEAT PER CITY SPECIFICATION, OR 1" R + 1/4" CLEAT IN STATE MAINTAINED R.O.W.
2. BREAK ALL SHARP CORNERS 0.06" X 45° MIN.
3. LID IS CAST WITH TWO 1" X 3 1/2" STEEL PICK BARS.
4. LID WEIGHT 150 OR 170 LBS. CAST TOP & BOTTOM.
5. BOLTS SHALL BE 5/8" X 13/7" X 11 N.C. STAINLESS STEEL HEX HEAD (TYPE 316).



PICK BAR DETAIL

TYP. WEIGHT	LID	RING	SET
CITY/STATE	150/175 LBS	150 LBS	300/325 LBS



TRAVIS COUNTY WATER CONTROL AND IMPROVEMENT DISTRICT No. 17
STANDARD DETAILS

ADOPTED:
03/01/2016

BOLTED SANITARY SEWER MANHOLE RING AND 24" COVER
(3 OF 3)

THE ARCHITECT/ENGINEER ASSUMES RESPONSIBILITY FOR APPROPRIATE USE OF THIS STANDARD.

DETAIL NO.
WW18