

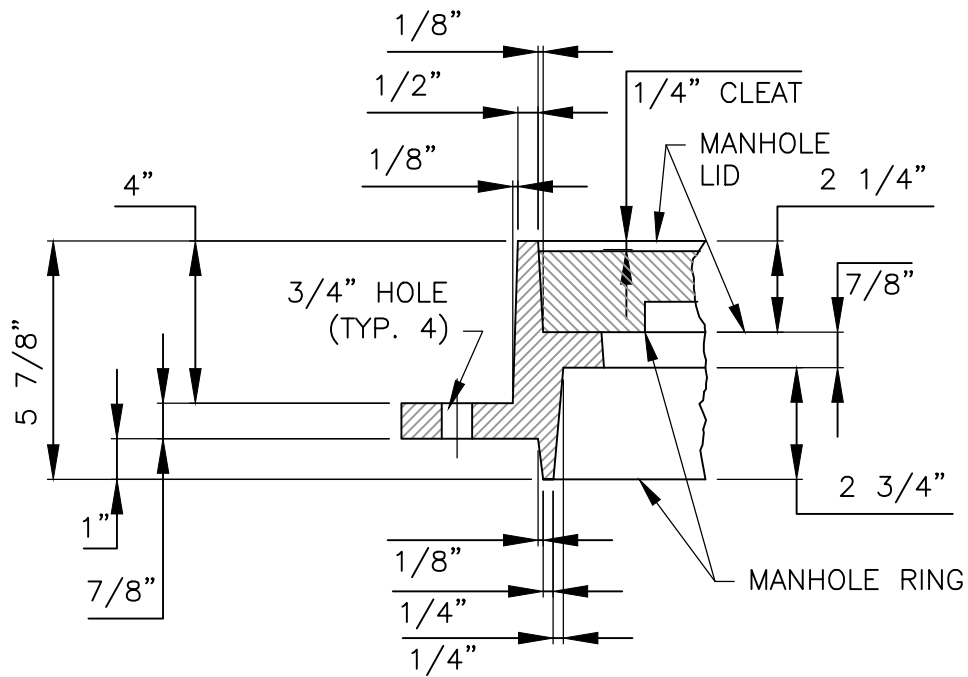
TRAVIS COUNTY WATER CONTROL AND
IMPROVEMENT DISTRICT No. 17
STANDARD DETAILS

ADOPTED:
03/01/2016

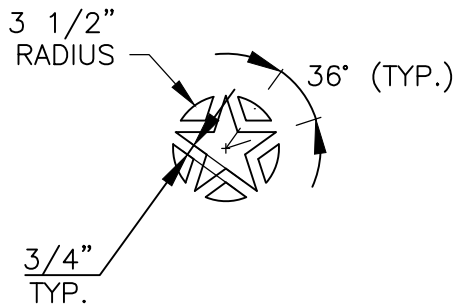
SANITARY SEWER MANHOLE
RING AND 24" COVER
(1 OF 3)

THE ARCHITECT/ENGINEER ASSUMES
RESPONSIBILITY FOR APPROPRIATE
USE OF THIS STANDARD.

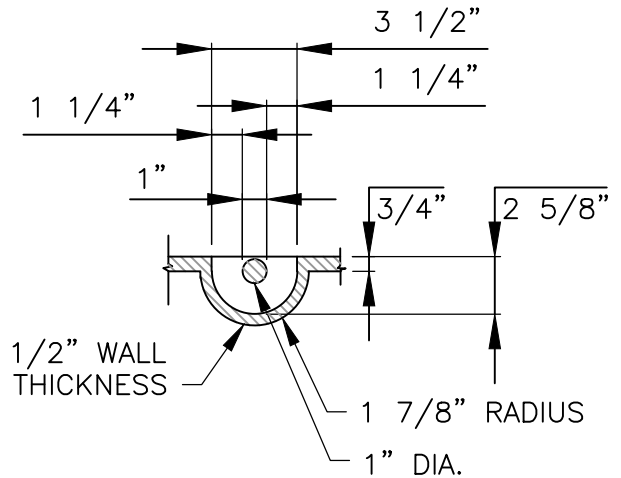
DETAIL NO.
WW17



BOLT HOLE DETAIL



STAR LAYOUT



PICK BAR DETAIL

NOTES:

1. 3/4" x 1/4" CLEAT PER CITY SPECIFICATION, OR 1" x 1/4" CLEAT IN STATE MAINTAINED R.O.W.
2. BREAK ALL SHARP CORNERS 0.06" X 45° MIN.
3. LID IS CAST WITH TWO 1" X 3 1/2" STEEL PICK BARS.
4. LID WEIGHT 150 OR 170 LBS. CAST TOP & BOTTOM.

TYP. WEIGHT	LID	RING	SET
CITY/STATE	150/175 LBS	150 IBS	300/325 LBS



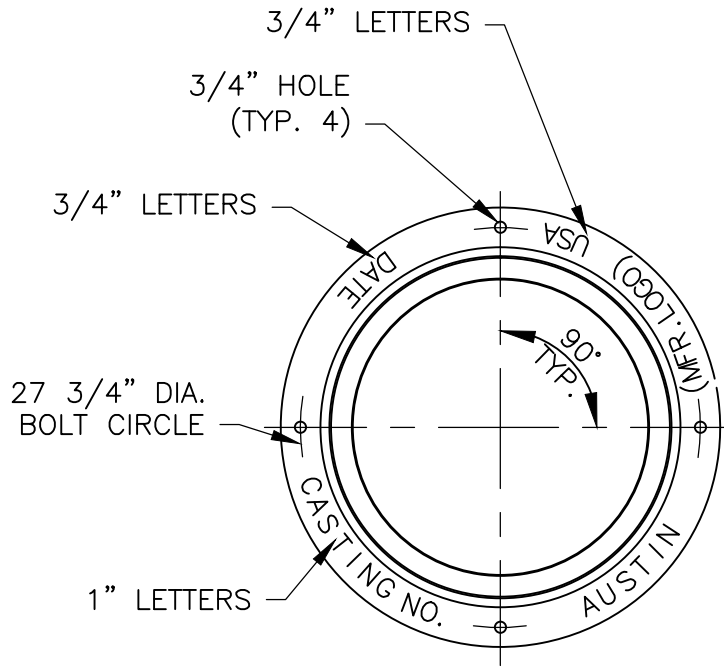
TRAVIS COUNTY WATER CONTROL AND IMPROVEMENT DISTRICT No. 17
STANDARD DETAILS

ADOPTED:
03/01/2016

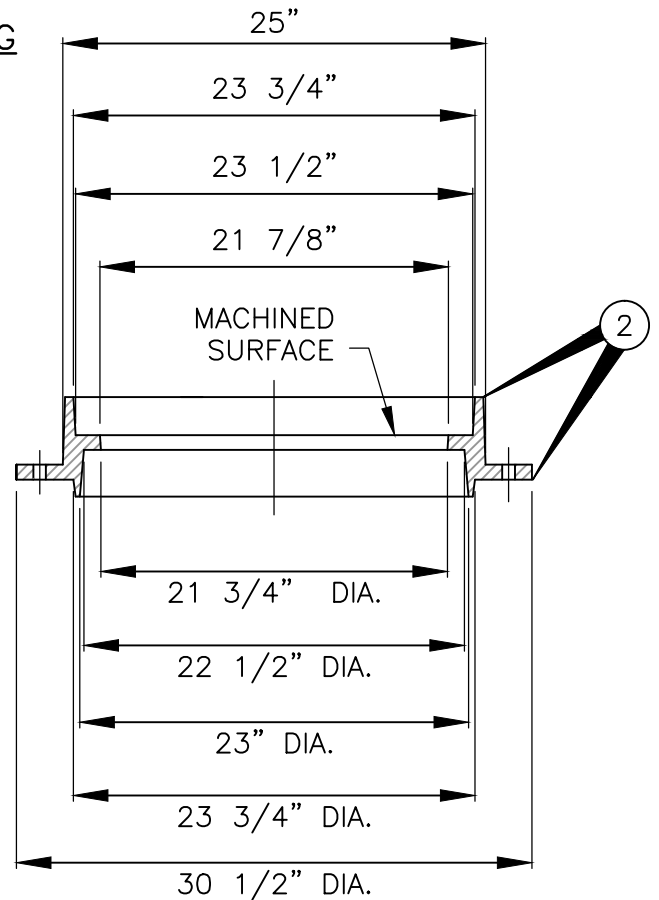
SANITARY SEWER MANHOLE RING AND 24" COVER
(2 OF 3)

THE ARCHITECT/ENGINEER ASSUMES RESPONSIBILITY FOR APPROPRIATE USE OF THIS STANDARD.

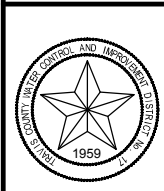
DETAIL NO.
WW17



MANHOLE RING



RING SECTION



TRAVIS COUNTY WATER CONTROL AND
IMPROVEMENT DISTRICT No. 17
STANDARD DETAILS

SANITARY SEWER MANHOLE
RING AND 24" COVER
(3 OF 3)

ADOPTED:
03/01/2016

THE ARCHITECT/ENGINEER ASSUMES
RESPONSIBILITY FOR APPROPRIATE
USE OF THIS STANDARD.

DETAIL NO.
WW17