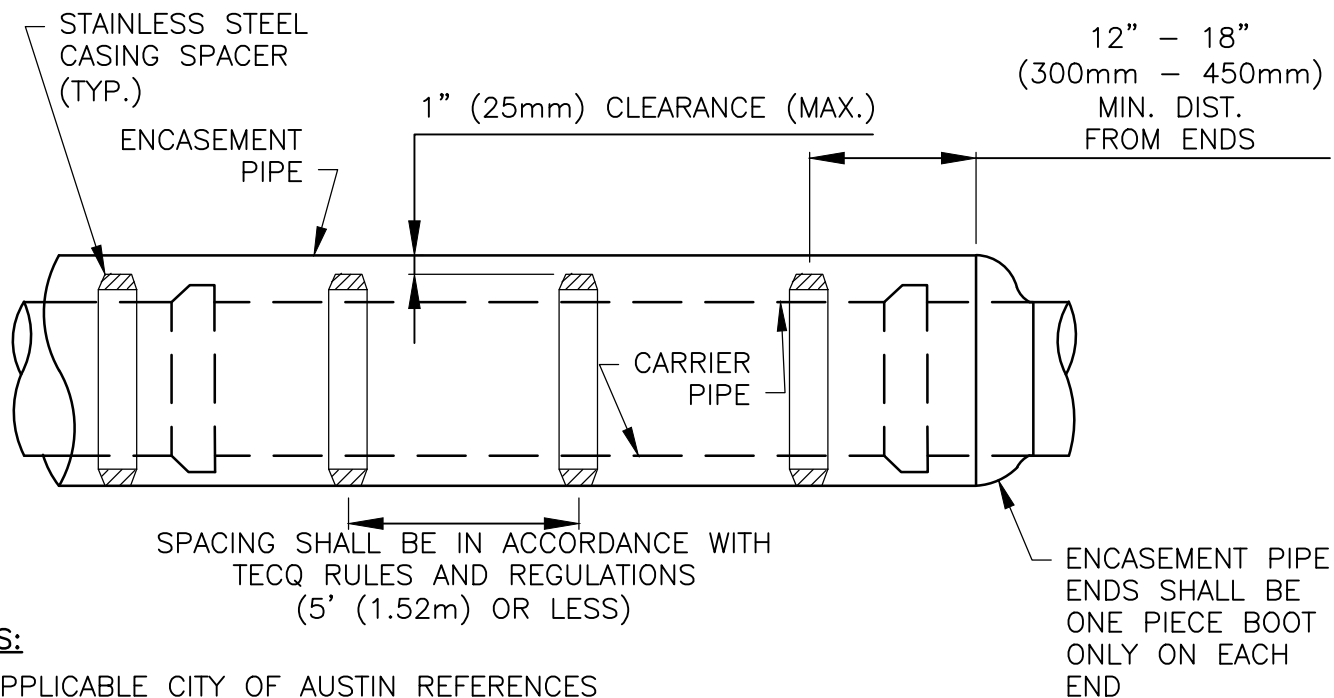
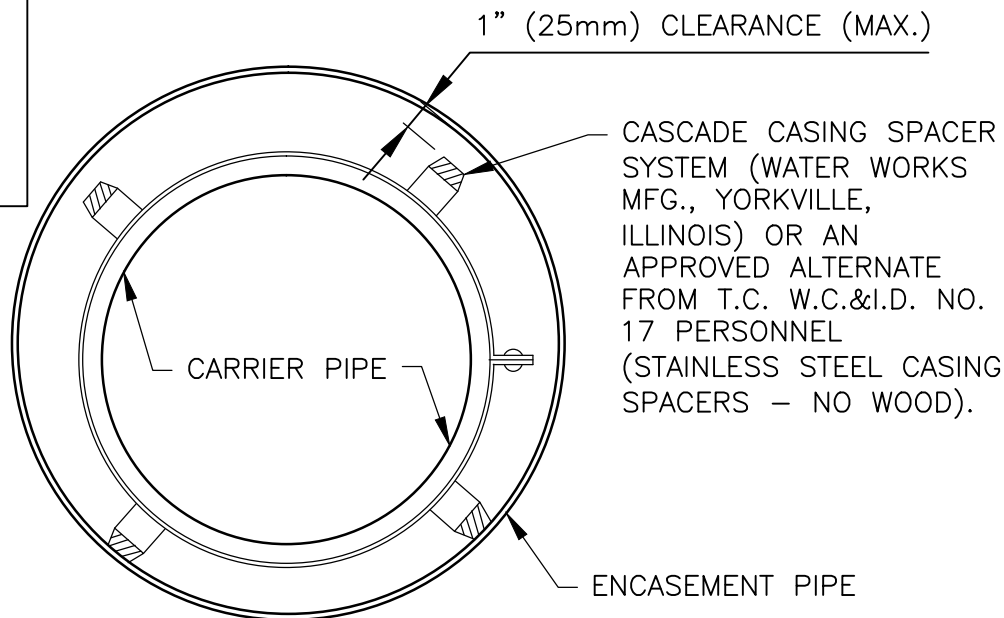



NUMBER OF RUNNERS AND CONFIGURATION SHALL COMPLY WITH TEXAS COMMISSION ON ENVIRONMENTAL QUALITY (T.C.E.Q) RULES AND REGULATIONS



NOTES:

1. APPLICABLE CITY OF AUSTIN REFERENCES
STANDARD SPECIFICATION: ITEM 510S.3 (19) W/WW STANDARD PRODUCTS LIST: SPLWW-575 (NO WOOD) CASING SPACERS AND SPLWW-575A (ONE PIECE BOOT) END SEALS.
2. T.E.C.Q. RULES AND REGULATIONS ON SANITARY SEWER, STORM SEWER AND WATER MAIN CROSSING AND SEPARATIONS WILL BE STRICTLY ENFORCED TO TAC, CHAPTER 290, SUBCHAPTER D
3. ALL PIPE IN ENCASEMENT PIPE SHALL BE RESTRAINT JOINT. FOR ENTIRE LENGTH OF THE ENCASEMENT PIPE PLUS 10 FEET (3.05mm) ON EACH SIDE.
4. FOR A PIPE 20' IN LENGTH, A MINIMUM OF 5 SPACERS IS REQUIRED. FOR A PIPE 13' IS LENGTH, A MINIMUM OF 3 SPACERS IS REQUIRED.

	<p>TRAVIS COUNTY WATER CONTROL AND IMPROVEMENT DISTRICT No. 17 STANDARD DETAILS</p>	<p>ENCASEMENT DETAIL WITH CASING SPACERS</p>	
	<p>ADOPTED: 06/15/2010</p>	<p>THE ARCHITECT/ENGINEER ASSUMES RESPONSIBILITY FOR APPROPRIATE USE OF THIS STANDARD.</p>	<p>DETAIL NO. W/WW17</p>